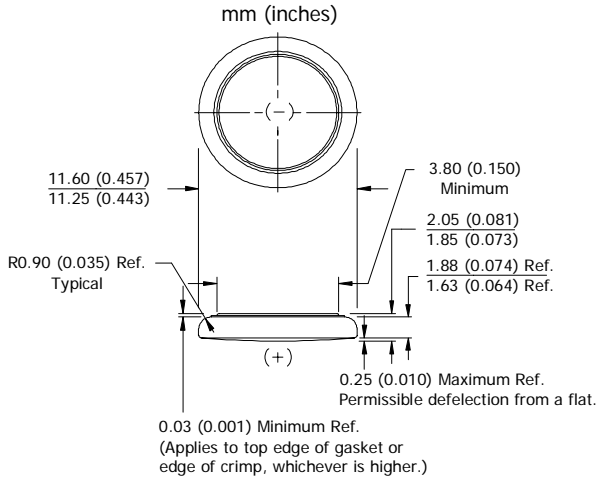


**ENERGIZER 391**

**SILVER OXIDE**



**Industry Standard Dimensions**



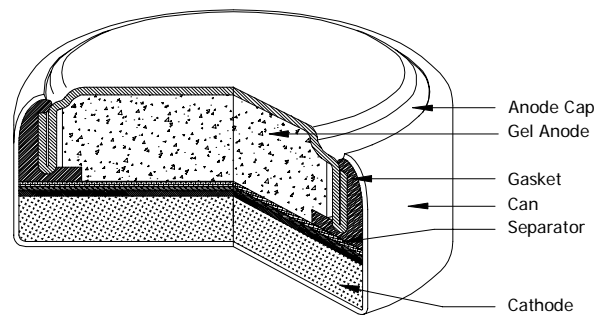
DESIGNED FOR USE ON CONTINUOUS LOW DRAIN  
HIGH PULSE ON DEMAND

**Specifications**

- Chemical System:** Silver Oxide (Zn/Ag<sub>2</sub>O)
- Designation:** ANSI-1160SO, IEC-SR55
- Nominal Voltage:** 1.55 Volts
- Typical Capacity:** 55 mAh\* (to 1.2 volts)
- Capacity Test:** 12K ohm continuous drain at 21°C
- Typical Weight:** 0.93 grams (0.03 oz.)
- Typical Volume:** 0.22 cubic centimeters (0.013 cubic inch)
- Impedance (40 Hz):** 5 to 15 ohms

\* Varies according to the applied load, temperature, and cutoff voltage.

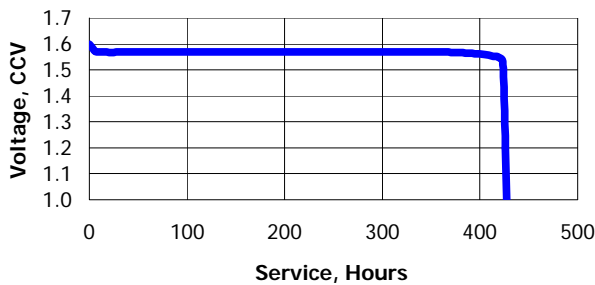
**Cross Section**



**Typical Discharge Characteristics**

Typical Performance at 21°C (70°F)

**Schedule:** Continuous  
**Typical Drain @1.55V:**  
0.129 milliamperes  
**Load:** 12K ohm

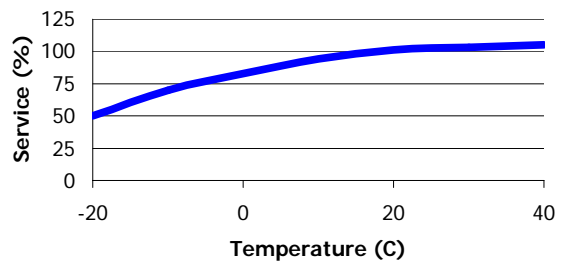


| <u>Schedule</u> | <u>Typical Drains</u><br>at 1.55V<br>(milliamperes) | <u>Load</u><br>(ohm) | <u>Cutoff</u><br>1.2V<br>(hours) |
|-----------------|---|----------------------|----------------------------------|
| Continuous      | 0.129   | 12K                  | 426                              |

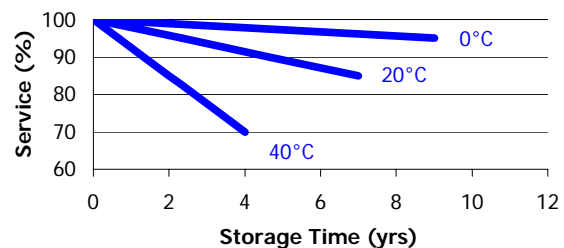
**Temperature Characteristics**

Typical Performance at Low Discharge Rates

**Service Effects**



**Storage Effects**



**Important Notice**

This datasheet contains typical information specific to products manufactured at the time of its publication.  
©Energizer Holdings, Inc. - Contents herein do not constitute a warranty.