

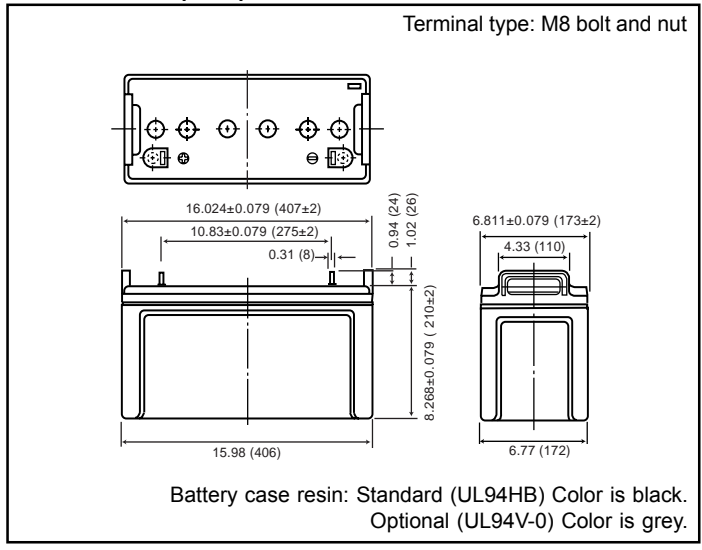
VALVE-REGULATED LEAD ACID BATTERIES: INDIVIDUAL DATA SHEET

LC-XA12100P



For standby power supplies. Expected trickle life: Approx. 6 years at 25°C, Approx. 10 years at 20°C.

Dimensions (mm)

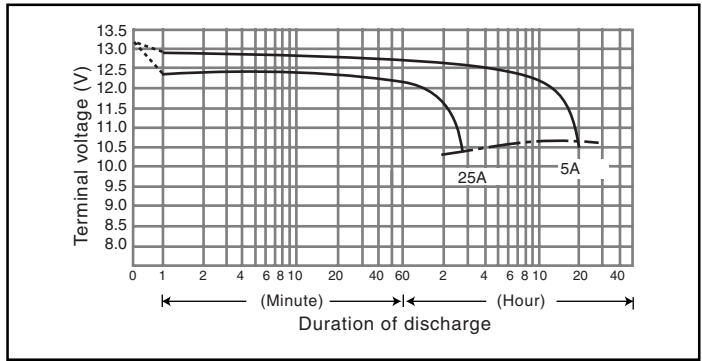


Specifications

Nominal voltage		12V
Rated capacity (20 hour rate)		100Ah
Dimensions	Length	16.024 inches (407 mm)
	Width	6.811 inches (173mm)
	Height	8.268 inches (210 mm)
	Total Height	9.291 inches (236 mm)
Approx. mass		72.8 lbs (33 kg)
Standard Terminals and Resin	UL94HB M8 Bolt and Nut	LC-XA12100P
Optional Terminals and Resin	UL94V-0 M8 Bolt and Nut	◆ LC-PA12100P

◆ Please contact Panasonic for availability on optional items. Optional items may be subject to minimum order quantities.

Discharge characteristics 77°F (25°C) (Note)



Characteristics

Capacity (note) 77°F (25°C)	20 hour rate (5A)	100Ah	
	10 hour rate (9.8A)	90Ah	
	5 hour rate (18A)	90Ah	
	1 hour rate (55A)	55Ah	
	1.5 hour rate discharge Cut-off voltage 10.5 V	40A	
Internal resistance	Fully charged battery 77°F (25°C)	Approx. 4.5mΩ	
Temperature dependency of capacity (20 hour rate)	104°F (40°C)	102%	
	77°F (25°C)	100%	
	32°F (0°C)	85%	
	5°F (-15°C)	65%	
Self discharge 77°F (25°C)	Residual capacity after standing 3 months	91%	
	Residual capacity after standing 6 months	82%	
	Residual capacity after standing 12 months	64%	
Charge Method (Constant Voltage)	Trickle use	Initial current	15 A or smaller
		Control voltage	13.6V to 13.8V (per 12V cell 25°C)

(Note) The above characteristics data are average values obtained within three charge/discharge. Cycles not the minimum values.

Duration of discharge vs. Discharge current (Note)

