

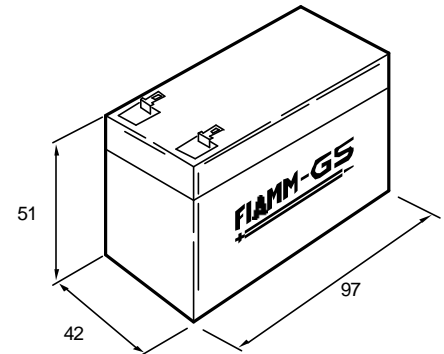
# TECHNICAL DATA SHEET OF FG 20121A (12V 1,2Ah)

# FIAMM-GS

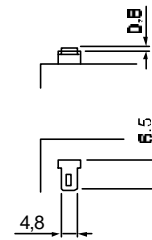
## Performance Specification for battery type FG 20121A

Nominal Voltage	12 Volts
Nominal Capacity	at 20 hour rate (60 mA to 10,5 Volts) 1,2 Ah
	at 10 hour rate (108 mA to 10,5 Volts) 1,1 Ah
	at 5 hour rate (196 mA to 10,2 Volts) 984 mAh
	at 1 hour rate (700 mA to 9,0 Volts) 700 mAh
Dimensions (mm)	Length=97, Width=48.5, Height=50.5
Approximate weight	550 g
Energy Density	66,39 Wh/l
Specific Energy	24,83 Wh/kg
Internal Resistance (Fully charged battery)	80 mΩ
Maximum discharge current in 1 minute discharge	7,2 A
Maximum discharge current in 5 seconds discharge	12 A
Recommended charging tension (temperature=20°C)	floating use: 13,5-13,8 V cyclic use: 14,4-15,0 V
Thermal compensation factor	floating use: -18mV/°C cyclic use: -30mV/°C
Maximum charging current	0,36 A
Terminals	Flat lug type 4,8 mm
Vibration Test (2000 cycles/minute, 2,55 mm excursion, 2 hours)	No loss in capacity or performance
Shelf life - % of nominal capacity at 20°C	
	1 Month 97%
	3 months 91%
	6 months 83%
Storage temperature	-20°C to 40°C
Operative temperature range	
	Charge 0° C to 40°C
	Discharge -20°C to 50°C
Case material	Acrylonitrile-Butadiene-Styrene
	Standard Case: according to UL-94 HB
	Also available: according to UL-94 VO
Life expectancy (Stand-by)	3 to 5 years according to Eurobat standards

## Battery dimensions (mm)



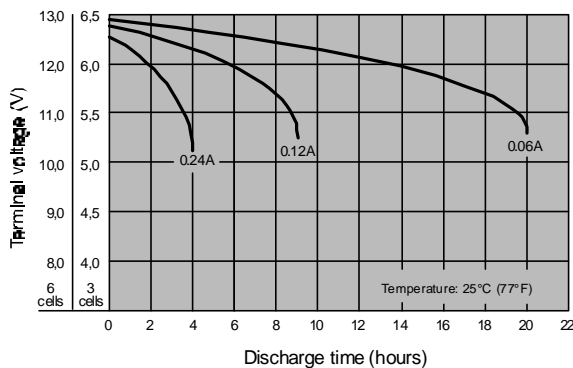
## Terminal type



## Constant Current Discharge Table (Ampere)

Time	5'	10'	15'	20'	30'	45'	1h	2h	3h	5h	10h	20h
<b>1,8V/Cell</b>	4,1	2,7	2,1	1,73	1,30	0,96	0,77	0,45	0,32	0,21	0,12	0,07
<b>1,75V/Cell</b>	4,4	2,8	2,2	1,77	1,32	0,97	0,78	0,45	0,32	0,21	0,12	0,07
<b>1,7V/Cell</b>	4,8	3,0	2,2	1,81	1,34	0,98	0,79	0,45	0,33	0,21	0,12	0,07
<b>1,65V/Cell</b>	4,9	3,0	2,2	1,82	1,34	0,98	0,79	0,45	0,33	0,22	0,12	0,07
<b>1,6V/Cell</b>	5,1	3,1	2,3	1,83	1,34	0,98	0,79	0,46	0,33	0,22	0,12	0,07

## Discharge time vs. discharge current



## Discharge time vs. discharge current

