

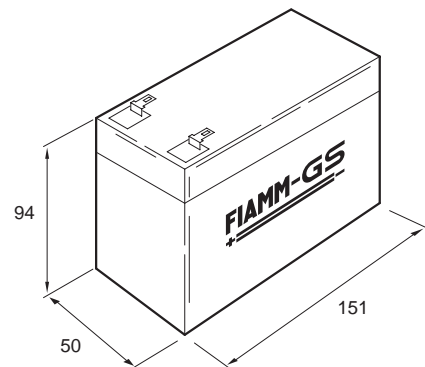
# TECHNICAL DATA SHEET OF 6V 12Ah<sub>(FG 11201)</sub>

# FIAMM-GS

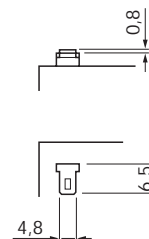
## Performance Specification for battery type FG 11201

## Battery dimensions (mm)

Nominal Voltage	6 Volts
Nominal Capacity	
at 20 hour rate (600 mA to 10,5 Volts)	12,0 Ah
at 10 hour rate (1,1 A to 10,5 Volts)	11,0 Ah
at 5 hour rate (1,98 A to 10,2 Volts)	9,9 Ah
at 1 hour rate (7,0 A to 9,0 Volts)	7,0 Ah
Dimension (mm)	Length=151, Width=50, Height=94
Approximate weight	2,1 kg
Energy Density	103,5 Wh/l
Specific Energy	34,2 Wh/kg
Internal Resistance (Fully charged battery)	6,5 mΩ
Maximum discharge current in 1 minute discharge	72 A
Maximum discharge current in 5 seconds discharge	180 A
Recommended charging tension (temperature=20°C)	
floating use: 13,5-13,8 V	cyclic use: 14,4-15,0 V
Thermal compensation factor	
floating use: -18mV/°C	cyclic use: -30mV/°C
Maximum charging current	3,0 A
Terminals	Flat lug type 4,8 mm
Vibration Test (2000 cycles/minute, 2,55 mm excursion, 2 hours)	No loss in capacity or performance
Shelf life - % of nominal capacity at 20°C	
1 month	97%
3 months	91%
6 months	83%
Storage temperature	-20°C to 40°C
Operative temperature Range	
Charge	0°C to 40°C
Discharge	-20°C to 50°C
Case material	Acrylonitrile-Butadiene-Styrene
	Standard Case: According to UL-94 HB
	Also available according to UL-94 V0
Life expectancy (Stand-by)	3 to 5 years according to Eurobat standards



## Terminal type (mm)



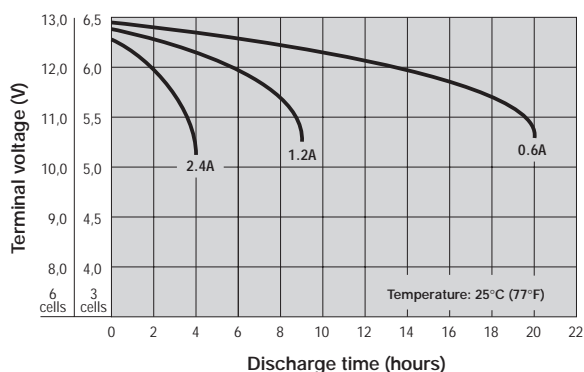
## Constant Power Discharge Table (Watt)

Time	5'	10'	15'	20'	30'	45'	1h	2h	3h	5h	10h	20h
1,8V/Cell	143,3	109,0	89,0	75,8	59,2	45,1	36,7	21,6	15,5	10,1	5,5	2,9
1,75V/Cell	154,5	115,0	93,0	78,7	61,0	46,2	37,5	21,9	15,7	10,2	5,5	3,0
1,7V/Cell	166,7	121,3	97,1	81,7	62,8	47,3	38,3	22,2	15,9	10,3	5,6	3,0
1,65V/Cell	173,0	124,6	99,3	83,2	63,7	47,8	38,6	22,3	15,9	10,3	5,6	3,0
1,6V/Cell	179,5	128,0	101,4	84,8	64,6	48,3	38,9	22,4	16,0	10,3	5,6	3,0

## Constant Current Discharge Table (Ampere)

Time	5'	10'	15'	20'	30'	45'	1h	2h	3h	5h	10h	20h
1,8V/Cell	39	27	20	16,8	12,5	9,2	7,3	4,1	2,9	1,86	1,01	0,60
1,75V/Cell	42	28	21	17,5	12,9	9,4	7,5	4,2	2,9	1,88	1,02	0,61
1,7V/Cell	45	29	22	18,2	13,3	9,7	7,6	4,2	3,0	1,89	1,03	0,64
1,65V/Cell	47	30	23	18,3	13,4	9,7	7,7	4,2	3,0	1,90	1,04	0,64
1,6V/Cell	48	31	23	18,5	13,5	9,7	7,7	4,3	3,0	1,92	1,04	0,64

## Discharge time vs. discharge current



## Discharge time vs. discharge current

